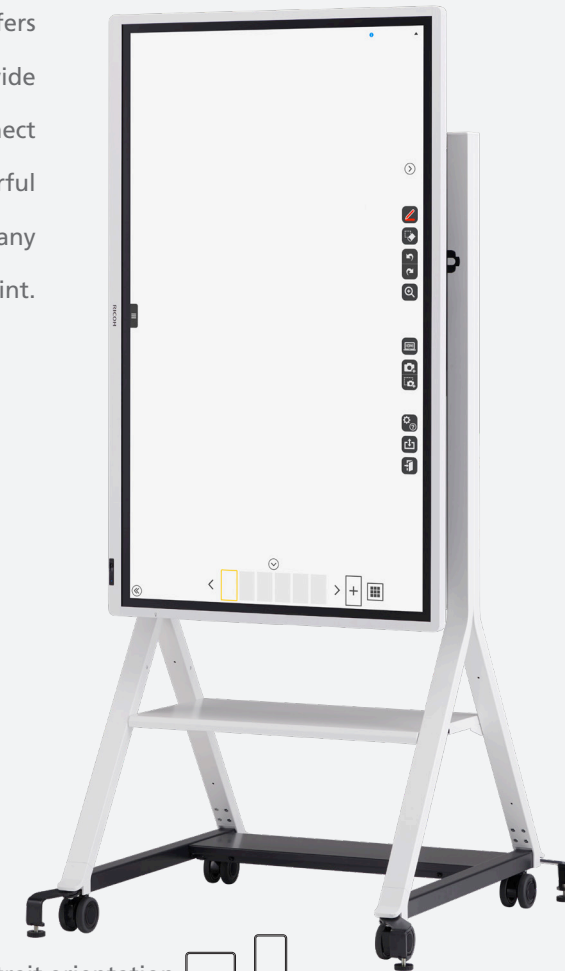


RICOH D5530

Share ideas anywhere, anytime
work better together

Get your whole team working productively together in meetings and brainstorming. The RICOH D5530 offers outstanding clarity with 4K touchscreen. It has a wide range of connectivity options that allows you to connect a wide variety of devices. The device comes with powerful integrated speakers and ready to be connected with any kind of external camera or video conference end point. You can also browse the web straight from the screen.



Landscape and portrait orientation

- 4K one-stop collaboration hub with document annotation and web browsing capabilities
- Motion Detection feature
- Easily connect your camera and microphone to use immediately integrated speakers
- Choose the best option for your organization between Smart Controller and Standard Controller
- Choose the best collaboration software package to improve your experience
- Adding RICOH Streamline NX (SLNX) enables secure card-based device access and allows you to email and print anything produced on the Board

PRODUCT HIGHLIGHTS

HUDDLE MEETING ROOM BRAINSTORMING MEETINGS	FLOOR STAND VESA MOUNT	VIDEO CONFERENCE READY AND REALTIME CONTENT SHARING	MOTION DETECTION	SMART DEVICE CONNECTIVITY	INTERACTIVE SOFTWARE & APPLICATIONS
---	------------------------	---	------------------	---------------------------	-------------------------------------

Some features are supported by RICOH Standard controllers only

Board sheet

Category	Items	D5530	
Display panel	Panel size	55 inch	
	Aspect ratio	16:9	
	Back light	DLED	
	Max resolution [dot]	3,840 x 2,160 dot (4K)	
	Max display color	1.07 Billion colors	
	Pixel pitch [mm]	0.315 (H) x 0.315 (W)	
	Brightness [cd/m ²] (typ.)	440	
	Contrast ratio (typ.)	4000:1	
	Angle of view [deg] (typ.)	Left-right:178 Upper-lower:178	
	Active screen size [mm]	1,209.6 (H) x 680.4 (V)	
	Response speed [ms]	8 (Typ.)	
	Color	White	
	Display orientation	Landscape / portrait	
	Touch sensor	Technology	InGlass™, Optical bonding
Touch point		Pen & finger: 4 points (φ 2 - 8mm) Finger & small eraser: 20 points (φ 8 - 50mm) Larger eraser : 2 points (φ 50mm -) Total (Max) : 20 points	
Resolution		Time resolution: 150 pt/sec Reported resolution: 19353x10886 (Landscape)	
Accuracy		Center area: 1mm (Typ) Edge area: 1.2mm (Typ)	
Touch pen request		2.0mm	
OS		Multi touch	Windows 8 / 8.1 Windows 8 / 8.1 Pro Windows 8 / 8.1 Enterprise Windows Embedded Standard 7 P Windows Embedded Standard 8 Windows 10 Home Windows 10 Pro Windows 10 Enterprise Windows 10 IoT
		Single touch	Windows 8 / 8.1 Windows 8 / 8.1 Pro Windows 8 / 8.1 Enterprise Windows Embedded Standard 7 P Windows Embedded Standard 8 Windows 10 Home Windows 10 Pro Windows 10 Enterprise Windows 10 IoT
			Mac OS X 10.8 ~Mac OS X 10.15
Touch output		USB 3.0 (Type B)*	
Cover glass		Thickness [mm]	2mm
	Coating	Pre-treated AG (Anti-glare) AF (Anti-fingerprint)	
	Hardness [H]	7	

Motion detection sensor		Yes	
Remote control sensor		Yes	
Dust resistant function		IP5X equivalent	
Power supply	Power supply	100-240V, 50-60Hz	
	Power consumption [W]	In operation	Less than 270W (Without OPS) Less than 350W (Fully configured)
		Standby	Less than 0.3W (without OPS)
Sound	amp [W]		12+12
	Internal speaker		Stereo (12+12)
	Input	L/R, RCA	No
		Line3.5mm	1
	Output	L/R, RCA	No
		Speaker-out	1 Headphone-out)
Video	Input	VGA (Mini D-SUB 15pin)	1
		HDMI	1
		DVI-D	No
		Display port	1
		Composite	No
		Component	No
	Output	S-Video	No
		VGA	No
		DVI	No
		Display port	1
USB hub (1)	I/F	USB3.0	
	Port	USB3.0: 2port (1.5A/port) Type A	
	Power supply	Self powered	
USB hub (2)	I/F	USB3.0	
	Port	USB3.0: 4port (1.5A/port) Type A	
	Power supply	Self powered	
Control	Input	RS-232C	1
	Output	RS-232C	1
	RJ45 (Wired LAN)		No
	USB3.0 (Type B) *for touch sensor		USB3.0 (Type B) x 1
OPS slot		1	
Operation key		Tact switch x 7	
Product size (W x D x H) [mm]		1,290 (W) x 78 (D) x 773 (H) (Landscape) 773 (W) x 78 (D) x 1290 (H) (Portrait)	
Product weight [kg] [Max]		35 37	
Installation		VESA 400 (W) x 400 (H) mm M8x16mm (Depth)	
Environmental condition	Operating temperature limits [°C]		0 - 32°C
	Operating humidity limits [%]		10 - 80%RH
	Storage temperature limits [°C]		-10 - 50°C
	Storage humidity limits [%]		15 - 80%RH
	Noise (dB)		Less than 35

RICOH D5530

Controllers

Category	Item	Specification		
Main spec (OPS)	Development name	Standard Controller	Smart Controller OP10	Smart Controller OP5
	Product name	RICOH Collaboration Board Controller Type 3	RICOH Interactive Whiteboard Controller OP-10	RICOH Interactive Whiteboard Controller OP-5
	CPU	Intel Core i5-6500TE	Intel Core i7-6700TE	Intel Core i5-6500TE
	System OS	Windows 10 IoT Enterprise LTSC 2019 64-bit	Windows 10 Professional 64-bit	Windows 10 Professional 64-bit
	SSD	128GB	512 GB	128 GB
	RAM memory	8GB	16 GB	8 GB
	Chipset	H110	Q170	H110
	LAN interface (Wired)	10BASE-T/ 100BASE-TX/ 1000BASE-T	10BASE-T/ 100BASE-TX/ 1000BASE-T	10BASE-T/ 100BASE-TX/ 1000BASE-T
	LAN interface (Wireless)	802.11 ac/a/b/g/n	802.11 ac/a/b/g/n	802.11 ac/a/b/g/n
	Interface (Output)	HDMI x 1	HDMI	HDMI
	Interface (Input)	VGA x 1 DisplayPort x 1 HDMI x 1	VGA x 1 DisplayPort x 1 HDMI x 1	VGA x 1 DisplayPort x 1 HDMI x 1
	Interface (Others)	USB 3.0 Type A x 3, 3.5 mm microphone jack, 3.5 mm headphone jack	USB 3.0 Type A x 3, 3.5 mm microphone jack, 3.5 mm headphone jack	USB 3.0 Type A x 3, 3.5 mm microphone jack, 3.5 mm headphone jack
	Bluetooth	Embedded	Embedded	Embedded
	Recovery time from standby mode	About 65 seconds	About 6 seconds	About 6 seconds
	Power source	DC +12 to 19V	DC +12 to 19V	DC +12 to 19V
Capture box	Included (4K)	Not included	Not included	
Installation	Insert into OPS slot	Insert into OPS slot	Insert into OPS slot	
Product size (W x D x H) [mm]	200 x 119 x 30 (OPS itself)	200 x 119 x 30	200 x 119 x 30	
Product weight [kg]	1.0kg (OPS), 0.3kg (Capture Box)	1.0kg (OPS)	1.0kg (OPS)	
Environmental condition	Operating temperature limits	0 - 32	0 - 32	0 - 32
	Operating humidity limits	10 - 80%	10 - 80%	10 - 80%
	Storage temperature limits	-10 - 50	-10 - 50	-10 - 50
	Storage humidity limits	15 - 80%	15 - 80%	15 - 80%

Capture box

Category	Item	4K Capture box
Capture box specification	Interface (Input)	HDMI 1.4b / DP 1.1 / VGA
	Resolution (Output)/fps	30fps @ 4K/2K
	Resolution (Input)/fps	30fps @ 4K / 60fps @ 2K
	Audio sampling rate	48kHz @ 16/24bit Hardware: 44.1kHz, 32kHz
	Non-HDCP contents display via Mac PC	HDMI/DP
	Color image	YUV422@2K / YUV420@4K
	Time to display via Capture box	VGA/HDMI: 5sec DP: 7sec
	Delay to display	100msec
	Dimension (W x D x H) [mm]	165 x 115 x 30 (Capture box itself)
	Input detection via converter	Automatic

RICOH D5530

Options

Controllers

RICOH Collaboration Board Controller Type 3

RICOH Smart Controller OP5

RICOH Smart Controller OP10

Floor stand

RICOH Collaboration Board Stand Type 6

RICOH Collaboration Board Rotation Unit Type 1

Writing tools

RICOH Collaboration Board Touch Pen Type 3

RICOH Interactive Whiteboard Eraser Type 1

Software

RICOH Interactive Whiteboard Remote License Type 1

RICOH IWB PLUGIN FOR O365 (Controller Type 3 required)

RICOH COLLABORATION SOFTWARE RICC (Controller OP5/10 required)

Compliance

Supported standards

Safety standards

UL62368-1, ;CAN/CSA-C22.2

EN62368-1; (CE marking)

EN60950-1 / EN62368-1 (TUV)

IEC60950-1 / IEC62368-1
(CB attestation)

CNS14336 (RPC)

KC Mark

GB4943 (CCC)

CU-TR

EMC

FCC Part15 SubpartB

IC ES-003

EN55024 (CE marking),EN55032 (CE marking)

EN55024,EN55035,EN55032,EN61000-3-
2,EN61000-3-3

AS/NZS CISPR32 (C-Tick)

GB9254, GB17625.1 (CCC)

CNS13438 (RPC)

CU-TR (EMC)

EMF

EN62311 (CE marking)

Accessories

Remote controller

Power cord (longer than 2.5m)

VGA cable (3.0m)

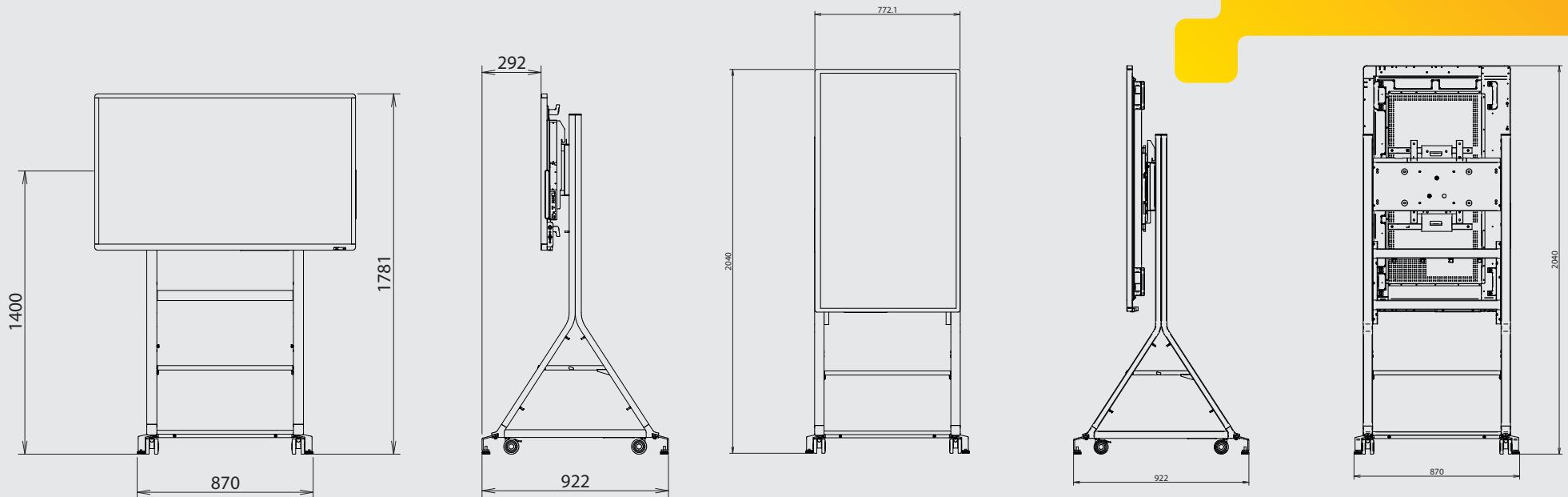
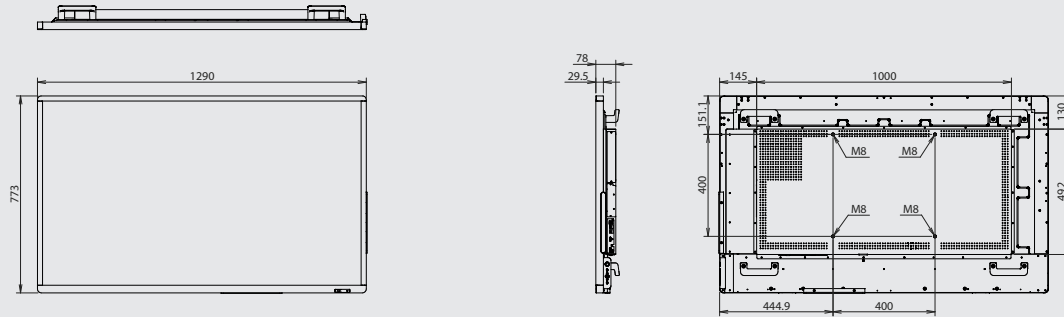
USB cable 3.0 (1.8m)

HDMI cable 2.0 (4.6m)

RICOH D5530

RICOH D5530

Dimensional Drawing



RICOH
imagine. change.

www.ricoh-ap.com

RICOH ASIA PACIFIC PTE LTD

20W Pasir Panjang Road, #04-28 MapleTree Business City, Singapore 117439
Phone: +65 6830 5888, Fax: +65 6830 5830

All brand and/or product names are trademarks of their respective owners. Specifications and external appearance are subject to change without notice. The colour of the actual product may vary from the colour shown in the brochure. The images in this brochure are not real photographs and slight differences in detail might appear. Copyright © 2022 Ricoh Asia Pacific Pte Ltd. All rights reserved. This brochure, its contents and/or layout may not be modified and/or adapted, copied in part or in whole and/or incorporated into other works without the prior written permission of Ricoh Asia Pacific Pte Ltd.